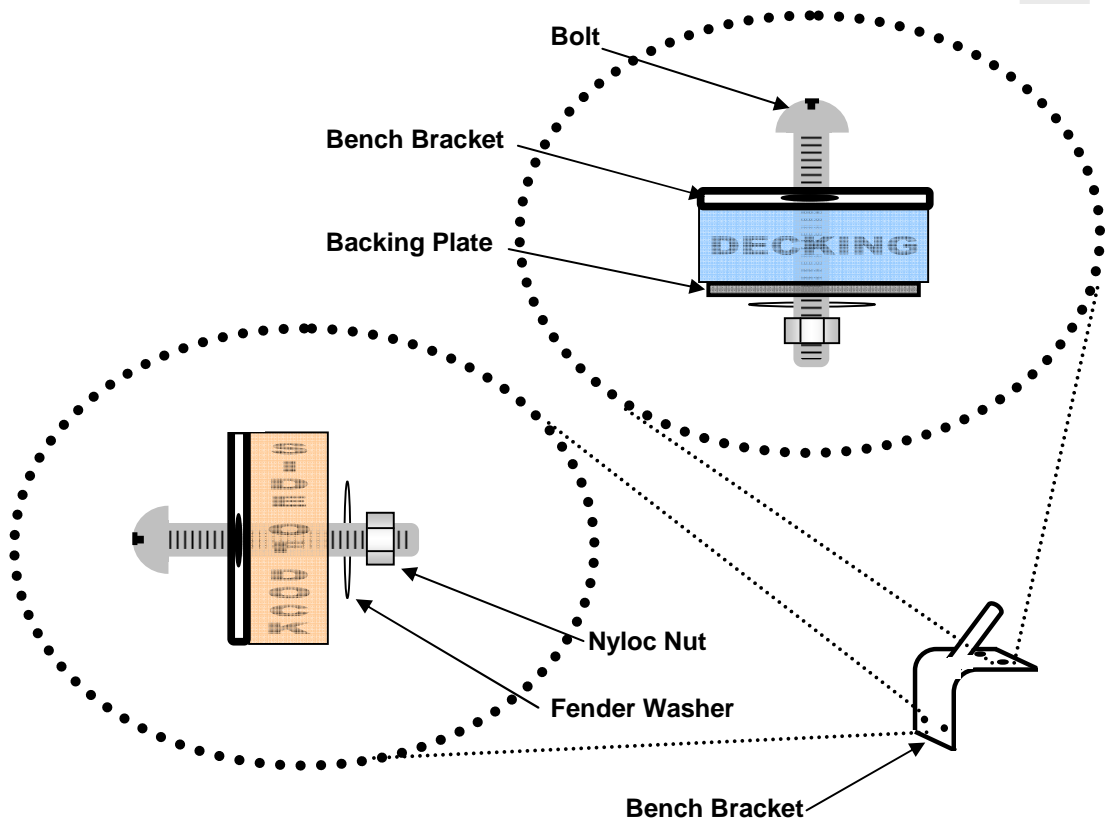


4ft Bench Base Hardware Installation

UP



Drawing Not to Scale

4ft Bench Base (*Displayed*):

Qty 2 - Bench Bracket

Qty 8 - 5/16" Nyloc Nut

Qty 8 - 5/16" x 2 1/2" Bolt

Qty 2 - Backing Plate

Qty 8 - 5/16" Fender Washer